

Welcome to NEMOP Preferred's Split Incentive Program

When you participate in our *Split Incentive Program*, we provide you with pills or tablets that are double the prescribed dosage. You will need to split your pill or tablet in half to receive the correct dose. Your prescription will be labeled to indicate that it is part of the *Split Incentive Program*. For your convenience we provide you with a Pill Splitter.

Participating in the Split Incentive Program:

- May reduce your co-pay
- Lowers drug costs for your employer
- Gives you the correct medication dose
- Reduces overall healthcare expense

Pills That Should Not Be Split

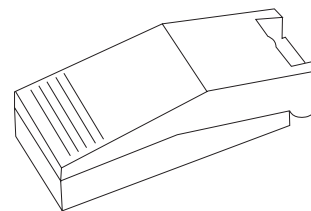
NEMOP Preferred knows which tablets may be split. We will not send you pills that should not or cannot be split.

Assistance

If you have any questions about using a Pill Splitter, please call us toll free at 1-888-778-8667.

The Pill Splitter

This is your Pill Splitter.



The appearance of your Pill Splitter may vary slightly from this illustration, but the function is identical.

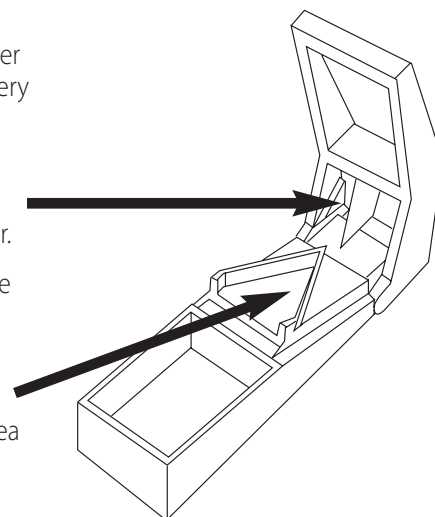
Always be sure to store your Pill Splitter in a child-safe location, it contains a very sharp blade.

Open your Pill Splitter carefully to see the location of the blade. The blade is contained in the top of the Pill Splitter.



Place your closed Pill Splitter right side up, on a sturdy, level surface.

Open your Pill Splitter and note the triangular area on the bottom half of your Pill Splitter. This is the holding area for the pill or tablet.



Using The Pill Splitter

Place a pill in the holding area carefully. Proper placement of different shaped pills is shown below.

Slowly lower the top of the Pill Splitter.

Using a smooth, slow, firm motion, press on the top of the Pill Splitter. Apply pressure until you feel or hear the tablet splitting, then stop.

It is important that you not use a fast chopping motion. This can cause the pill to crumble.

You may now remove the split pill and store your Pill Splitter in a child-safe location.

